

OSB11

SWIMMING STARTING BLOCK



3454.504.02

Version 1.1

Edition November 2009

2 INSTALLATION

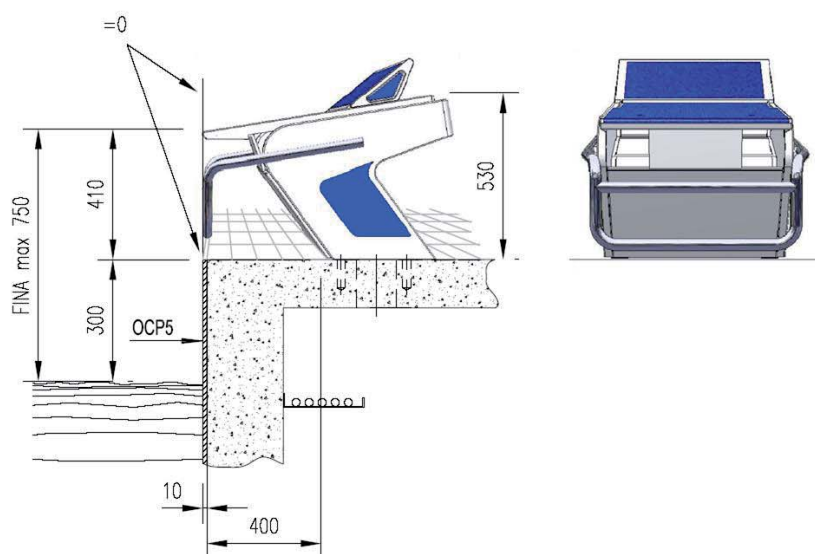
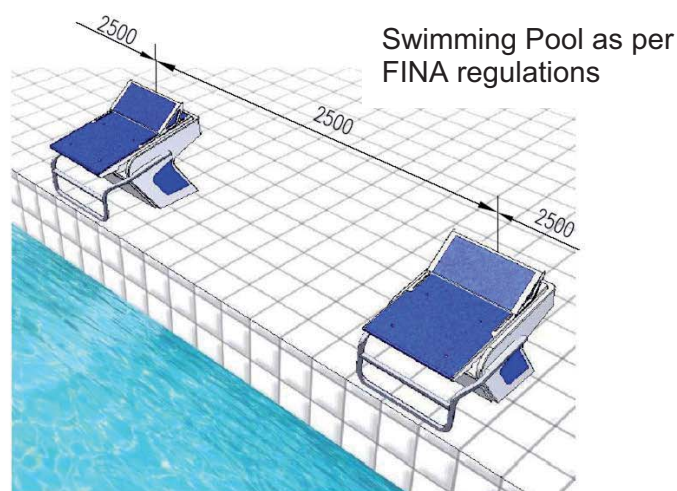
2.1 Positioning of the OSB11 starting blocks

The **OSB11** starting blocks are positioned according to the measures indicated: 400mm from the swimming pool border (410mm with the OCP5 touchpad) to the front of the base.

The handle of the **OSB11** must be aligned with the border of the touchpad (for example OCP5).

Are the touch plates missing or is the swimming pool too small with touchpads, align the **OSB11** starting block with the border of the swimming pool.

The drilling oblong fixations permit a play of the block of +/-10mm; this permits a possible correction of the alignment.



2.2 Fixation of the starting block

To ensure proper functioning of the OSB11 starting block system, fixation must be absolutely rigid.

2.3 Drilling and mounting of the OSB11

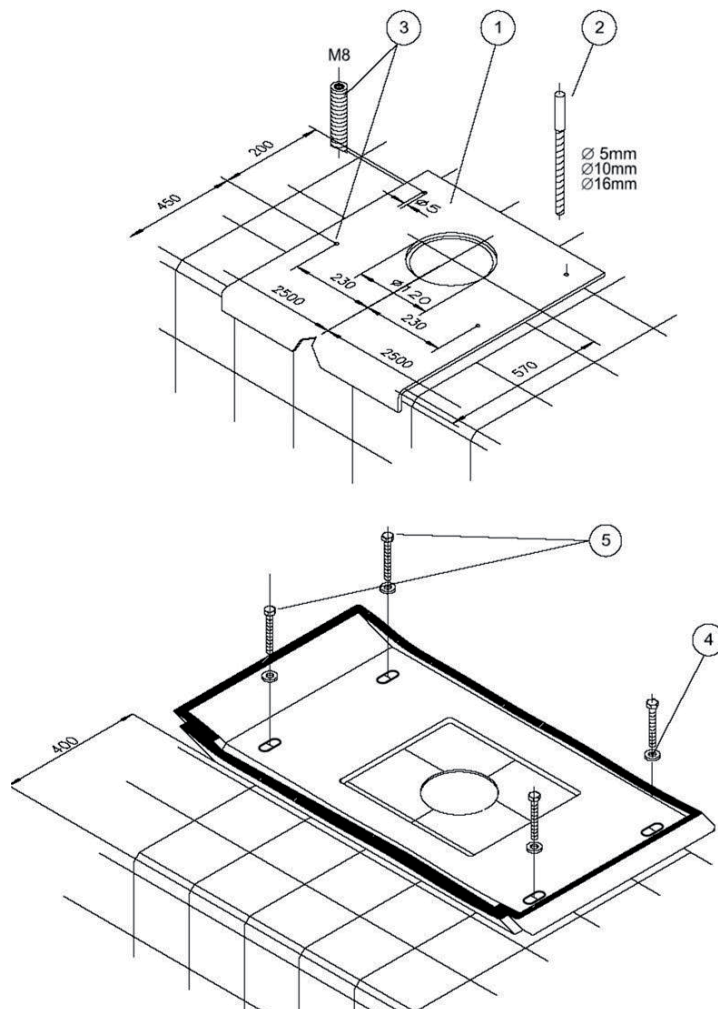
For fix cabling, a hole with $\varnothing 120 - 122\text{mm}$ at 570mm away from the pool's border must be foreseen in order to provide space for the cables (the gauge has a hole of $\varnothing 120\text{mm}$).

Put the drilling gauge (1) on the border of the swimming pool and mark the 4 $\varnothing 5$ holes of the gauge with a $\varnothing 5$ drill.

Drill the 4 holes respectively with drills $\varnothing 5$, $\varnothing 10$ and $\varnothing 16\text{mm}$ (2). **Minimal depth: 90mm, maximal depth: 100mm.**

As per instruction manual 3393.505 "Preparing the drillings", push the pegs M8 (3) in the $\varnothing 16$ holes and put the OSB11 starting block on the 4 fixation points.

Fix the base with the 4 screws M8 x 40 (5) and the 4 washers M8 (4).



3 TECHNICAL CHARACTERISTICS OF THE OSB11-SW WITH RELAY BREAK DETECTION (RBD) AND WITHOUT START CONTROL

	OSB11-RBD	OSB11-Simple
DIMENSIONS	780 x 570 x 650 <i>Platform 740mm x 520mm</i>	
WEIGHT (KG)	47	41
COLOURS	Platform white RAL 9010 with non-skidding surface dark blue RAL 5002	
CONTACT	Closing at the moment of the start (NO)	
ACTION FORCE	9.0 Kg to 12.0Kg	
CONNECTION	Cable with 2-pole plug (length ~140cm)	

